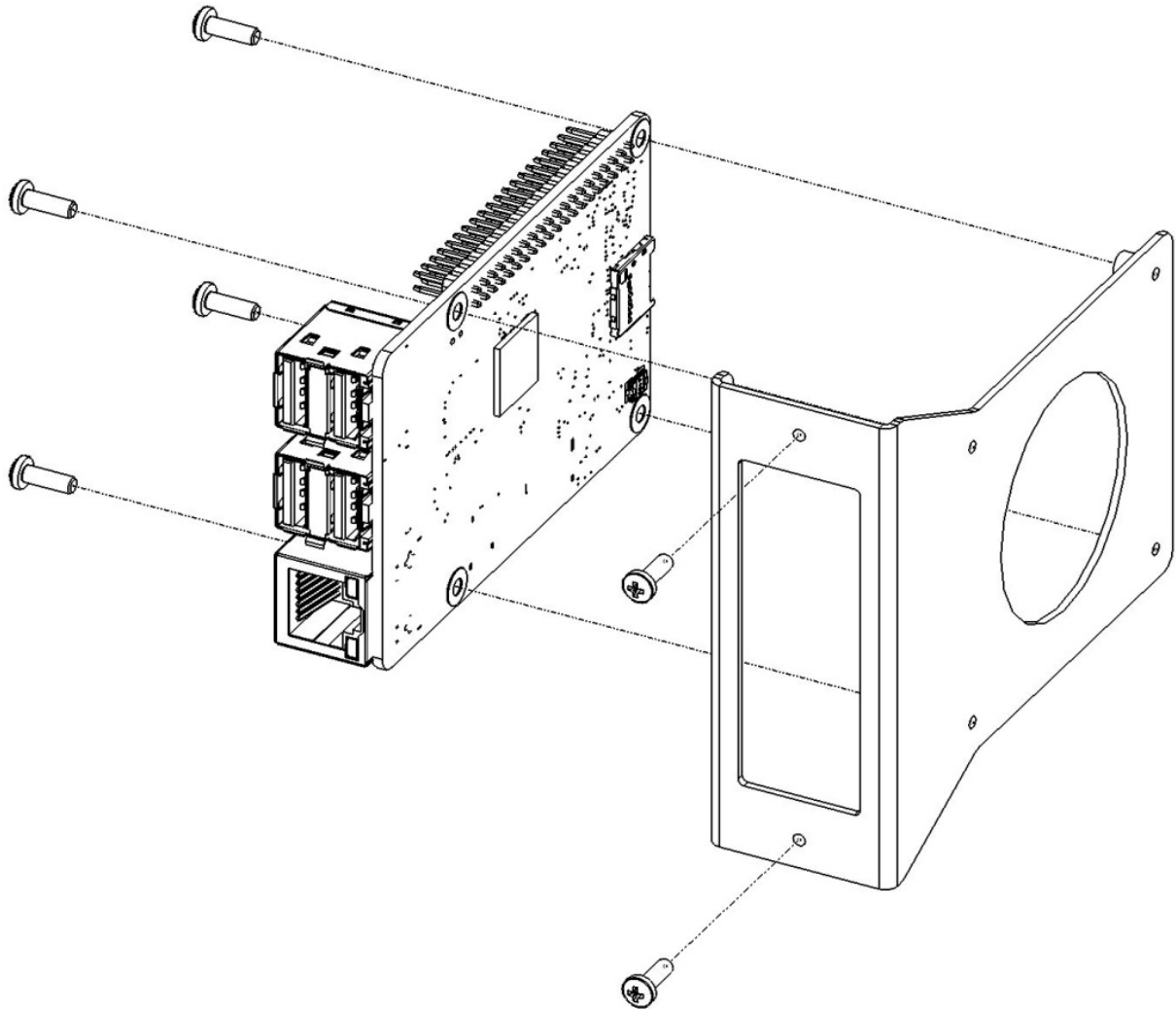


Assembly instructions
Raspberry Pi Insert
zr-sbc-904 (D)
zr-sbc-905 (E)
zr-sbc-906 (F)



The smart difference.



Fasten Raspberry Pi Insert

Fasten the Raspberry Pi to the bracket using the M2.5x6 screws (included in the scope of supply).

Fasten the **Raspberry Pi Insert** to the Rack Mount Kit using the M2.5x6 screws (included in the scope of supply).

Raspberry Pi board (top view)



The smart difference.